



# Specification Information

**Product Code:** 316-S

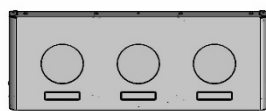
**Product Name:** Stainless Steel Floor Standing Recycling Station

**Individual Carton UPC:** 624622316037

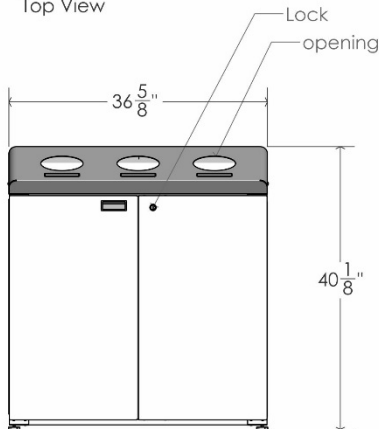
**Individual Carton Shipping Dimensions:** 97.8cm W x 104.1cm H x 38.1cm D (38½" W x 41" H x 15" D)

**Individual Carton Shipping Weight:** 41.3 kg (91 lbs)

**Site Location:** Frost's 316-S stainless steel floor standing recycling station allows for flexible mounting locations in areas requiring three streams. Frost's recycling stations are industry standards and can be used in practically any application. Typically, the disposals are used in schools/universities, restaurants, malls, office buildings, condominiums, fitness facilities, and recreation centres. The product's all steel construction, sleek appearance and low maintenance make it a popular choice.



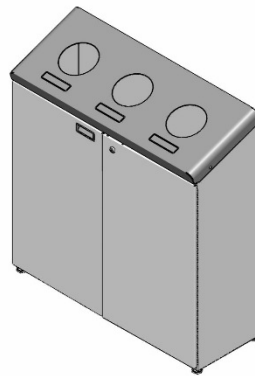
Top View



Front View



Side View



## Features:

- All welded construction of 18 gauge Canadian stainless steel
- Comes with Glass, Plastic, Cans, Trash, Cans/Plastic, Glass/Plastic, White Paper Only, Glass/Cans/Plastic, Paper, Trash/Organic and Organic labels in English, French, and Spanish
- Assists commercial and institutional organizations with source separation programs
- Anchors to secure both indoor and outdoor installation as well as adjustable feet allow for easy leveling
- All exterior components are fabricated metal for maximum fire protection
- Three leak proof roto moulded polyethylene liners
- Ergonomic front loading door reduces risk of back injury
- Keyed tumbler lock to prevent unwanted access, one key provided
- Inclined top discourages use as table or chair
- Waste/Recycling material hole size is 15.2 cm (6") in diameter
- Liner is 29.2cm W x 71.1cm H (11½" W x 28" H)
- Recommended Bag Size: 76.2cm x 96.5cm (30" x 38")

Frost Products Ltd

5276 John Lucas Drive  
Burlington, ON, Canada, L7L5Z9

(905) 332-5700  
1-800 667-5094

info@frostproductsltd.com  
www.frostproductsltd.com



# Specification Information

## Capacity:

- Each liner has a 67 litre capacity (17.7 US gal, 14.7 Imp gal.). Code 316-S: 201 litres in total (53.1 US gal., 44.2 Imp gal.)

## Materials:

- Body: 18 gauge type 304 stainless steel, brushed finish
- Lid: 18 gauge type 304 stainless steel, brushed finish
- Liners: roto moulded polyethylene, black

## Product Dimensions:

- 93.0cm W x 101.9cm H x 35.6cm D (36.6" W x 40.1" H x 14" D)

## Product Weight:

- 39.9 kg (88 lbs)

**Maintenance:** Normal preventative maintenance and cleaning will keep Frost products functioning properly and may extend normal product life. Products should be wiped down with a damp soft cloth periodically. Approved stainless steel cleaner may be used to clean scuffs or fingerprints on stainless surfaces. Do not use harsh detergents or chemical cleaners. For stainless steel please do not spray with any product containing bleach, acids, or chlorides, which can be found in many cleaning products such as toilet bowl cleaners. Use of these cleaning solutions may cause discoloration and if used for prolonged periods of time they can eat away at points in the stainless steel. If discoloration occurs, the use of an approved stainless steel cleaner and a firmer scrub pad, such as a Scotch Brite Pad #7447, may remove the markings. Wipe away any debris from the area and gently rub with the pad. Then spray the area with a stainless steel cleaner/polish and rinse and dry. Always wipe with the grain direction for stainless steel products. If a cleaning agent has begun to eat away at the steel on a unit then the unit will likely need to be replaced. The stainless steel that Frost Products uses is of high quality and stainless steel is resistant to rust. However, discoloration that appears to be rust can be caused by cleaning solutions and soaps mentioned above. It is important to discontinue use of any cleaning agent or soap if discoloration begins to occur. Clean off the discoloration as quickly as possible to avoid any permanent damage to the unit. Maintenance staff should be taught how to recognize the signs that they are not using the appropriate cleaning products and how to correctly maintain stainless steel items.

**Warranty:** If any product or part proves to be defective within 12 months from date of shipment from the factory it will be repaired or replaced without any charge including freight costs when authorized. Costs resulting from the installation or removal of defective products are not covered under this warranty. Discoloration to stainless steel parts resulting from exposure to harsh environmental and / or chemicals are not considered to be defects in workmanship or material and are not covered under warranty.